

Part No.WADP-NFSM-01

18GHz N(F)-SMA(M) 50Ω Adapter/Stainless Steel



Features:

- High repeatability
- Low VSWR



Electrical Specification

Frequency	DC-18GHz
Impedance	50 Ohm
V.S.W.R	1.15:1 Max
Connector Type	N Feamle – SMA Male

Mechanical Specification

Durability	500C ycles
------------	------------

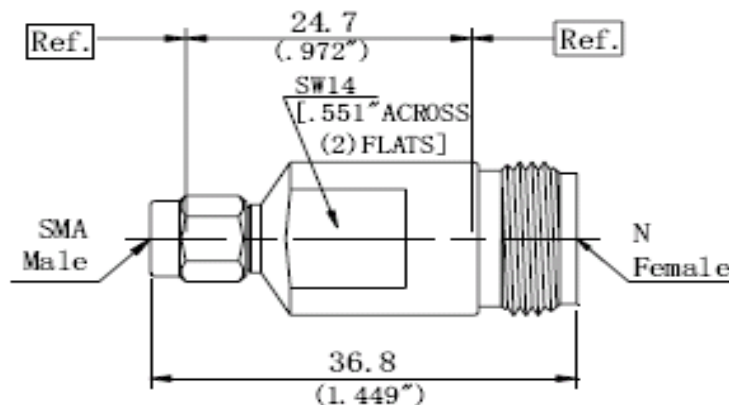
Material Specification

Housing	Type 303 Stainless Steel-Polished & Passivated
Center Contact	Beryllium Copper Plated Gold
Insulator	PEI & PTFE

Environmental Specification

Operating Temperature	-60~+165°C
-----------------------	------------

Outline Drawing



Test Report

