

Part No. WK0602-XX

6GHz SMA 2W Fixed Attenuator/Stainless Steel



Features:

- Smallest models made
- Low VSWR
- All attenuation values available



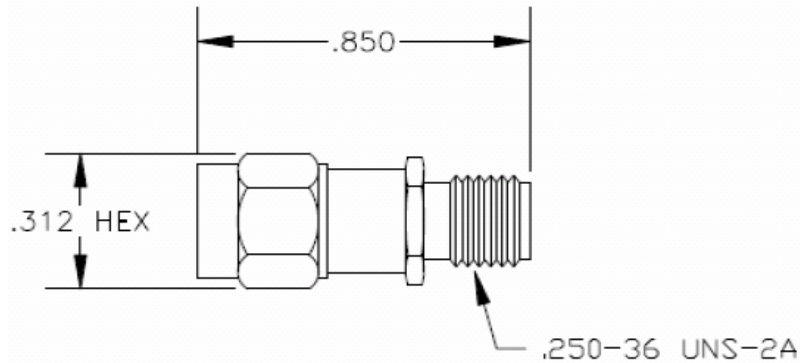
Electrical Specification	
Frequency	DC-6GHz
Attenuation Availability	1.2.3.4.5.6.7.8.9.10.12.15.20.30.40.60 dB
Accuracy (Max)	0-20dB +/- 0.5dB 30dB +/- 0.75dB 40dB +/- 1.5dB 60dB +/- 2.0dB XX: 01=1dB , 02=2dB
V.S.W.R (Max.)	DC-2.5Hz :1.15 2.5-6GHz :1.2 (0-6dB) 1.25(7-12dB) 1.3(15-60dB)
Input Power	Avg. 2Watts @25°C, Peak : 200Watts (5 Usec Pulse, 0.10% Duty Cycle)
Impedance	50 ohm

Material Specification	
Body	Stainless Steels (SUS-303) (Nickel Plated)
Center Contacts	Beryllium Copper (Female) (QPE-2) (Gold Plated)
Insulator	TFE (E=2.2-2.4)
Gasket	Silicon Rubber
Attenuator Chips	Alumina Substrate Thick Film

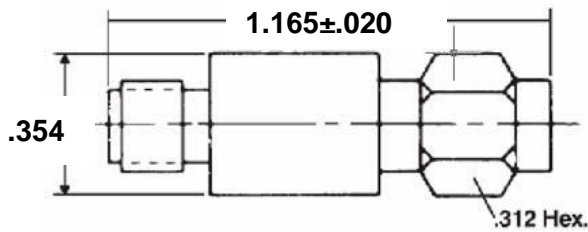
Environmental Specification	
Operating Temperature	-65~+125°C

Outline Drawing

1-30dB

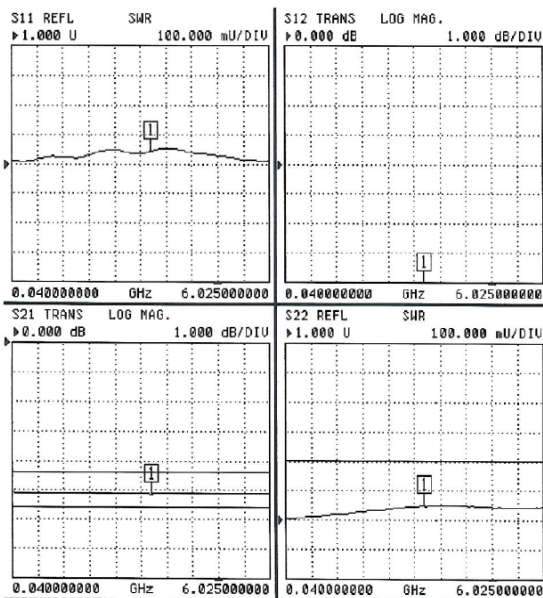


40.60dB



Test Report

5dB



6dB

