

Part No. WPRB-8CPGS

40MHz-8GHz GND Type Probe/SMA Pitch:2.1mm



Features:

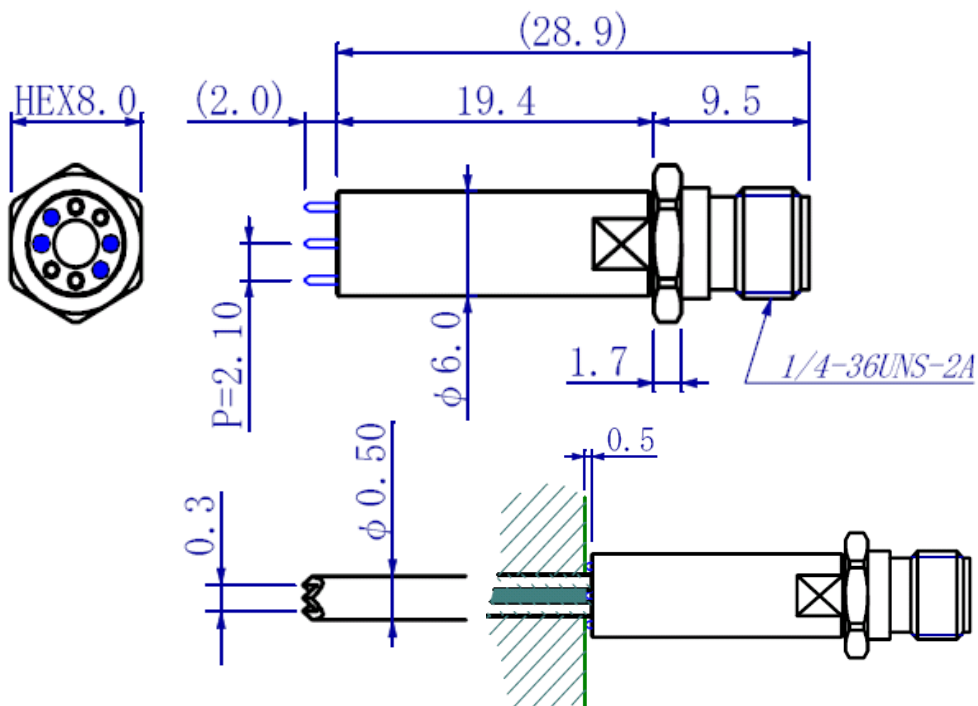
- Low Loss
- Variable Pitch
- Spring-loaded Ground Pin

Electrical Specification	
Frequency	40MHz-8GHz
Connection	SMA

Mechanical Specification	
Tip Shape	GND:4Point
Probe Pitch	GND:2.1 mm

Material Specification	
Material	Be Cu
Finish	Ground :NI , Surface: Au

Outline Drawing



Test Report

